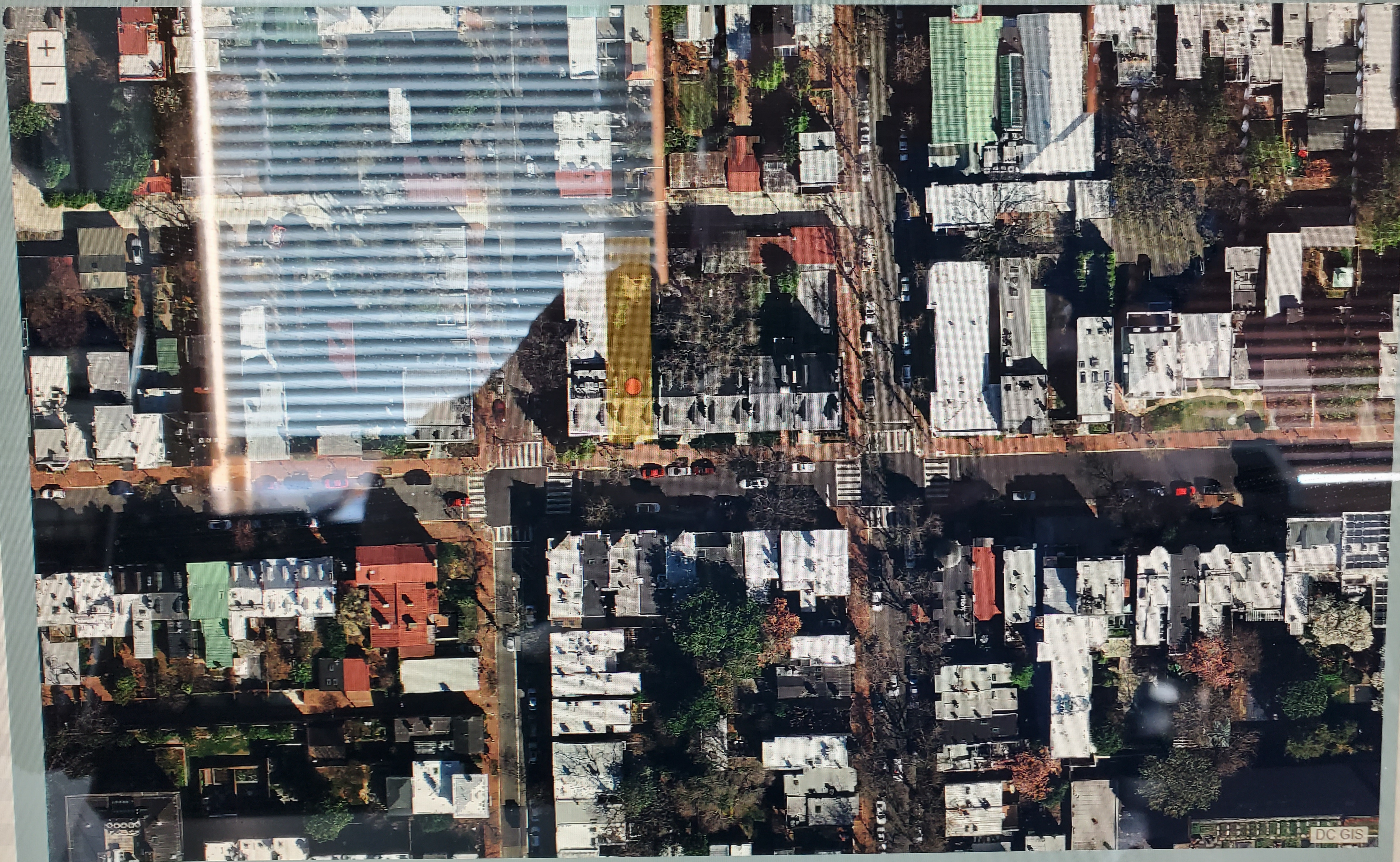
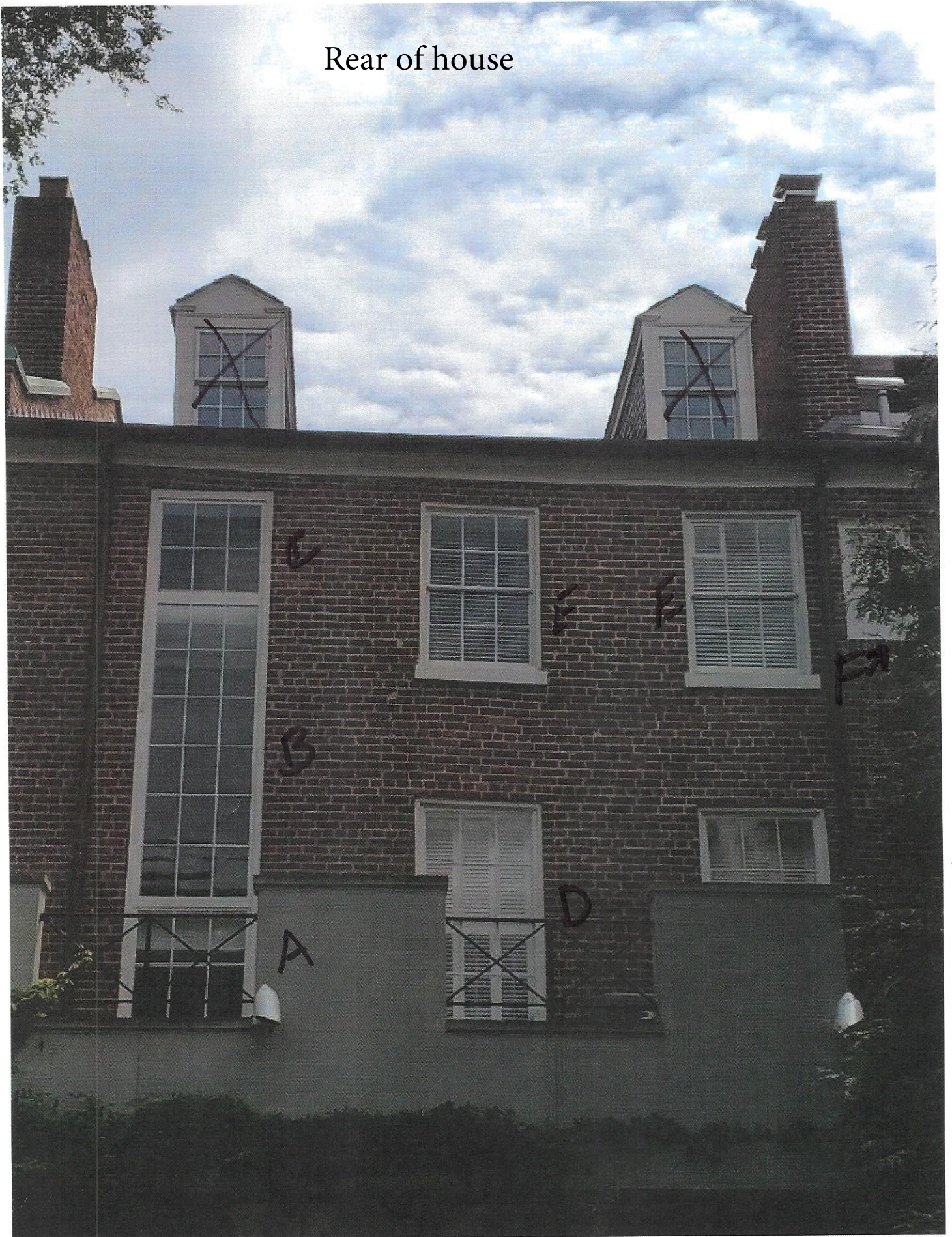


Interactive Map



Rear of house

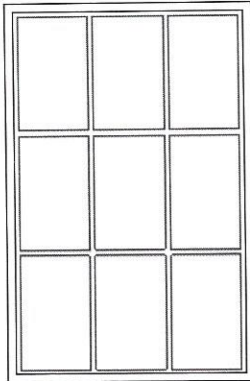


LINE ITEM QUOTES

The following is a schedule of the windows and doors for this project. For additional unit details, please see Line Item Quotes. Additional charges, tax or Terms and Conditions may apply. Detail pricing is per unit.

Line #1	Mark Unit: stairway 1st to 2nd			
Qty: 1				

INFINITY
from MARVIN
 REPLACEMENT WINDOWS
Built for life



As Viewed From The Exterior

FS 37" X 56 1/2"

RO 38" X 57"

Egress Information

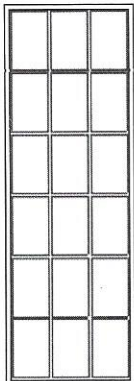
No Egress Information available.

Stone White Exterior
 Stone White Interior
 Infinity Rectangle
 Rough Opening 38" X 57"
 IG - 1 in
 Low E2 w/Argon
 7/8" SDL - With Spacer Bar
 Rectangular 3W3H
 Stone White Ext - Stone White Int
 Additional Mull Info: Stand Alone
 2 1/4" Jamb
 Nailing Fin
 ***Note: Divided lite cut alignment may not be accurately represented in the OMS drawing. Please consult your local representative for exact specifications.
 ***Note: Unit Availability and Price is Subject to Change

A

Line #2	Mark Unit: stairway 2nd to 3rd			
Qty: 1				

INFINITY
from MARVIN
 REPLACEMENT WINDOWS
Built for life



As Viewed From The Exterior

FS 37" X 108 1/2"

RO 38" X 109"

Egress Information

No Egress Information available.

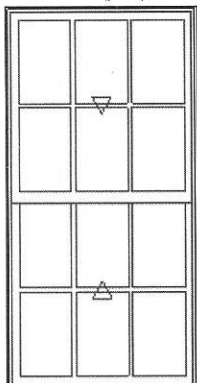
Stone White Exterior
 Stone White Interior
 Infinity Rectangle
 Rough Opening 38" X 109"
 IG - 1 in
 Tempered Low E2 w/Argon
 7/8" SDL - With Spacer Bar
 Rectangular 3W6H
 Stone White Ext - Stone White Int
 Additional Mull Info: Stand Alone
 2 1/4" Jamb
 Nailing Fin
 ***Note: Divided lite cut alignment may not be accurately represented in the OMS drawing. Please consult your local representative for exact specifications.
 ***Note: Unit Availability and Price is Subject to Change

B

Line #3	Mark Unit: bathroom, sitting rm rear			
Qty: 2				

Stone White Exterior

INFINITY
from MARVIN
 REPLACEMENT WINDOWS
Built for life



As Viewed From The Exterior

FS 39 5/8" X 78"
 IO 40" X 78"

Egress Information

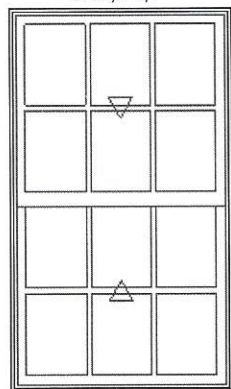
Width: 36 15/16" Height: 33 9/32"
 Net Clear Opening: 8.53 SqFt

Stone White Interior
 Infinity Insert Double Hung
 Inside Opening 40" X 78"
 Top Sash
 IG
 Low E2 w/Argon
 7/8" SDL - With Spacer Bar
 Rectangular 3W2H
 Stone White Ext - Stone White Int
 Bottom Sash
 IG
 Low E2 w/Argon
 7/8" SDL - With Spacer Bar
 Rectangular 3W2H
 Stone White Ext - Stone White Int
 White Sash Lock
 White Sash Lift
 Extruded Full Screen
 Stone White Surround
 Charcoal Hi-Transparency Fbrgls Mesh
 Existing Sill Angle 4
 3 1/4" Jamb

***Note: Divided lite cut alignment may not be accurately represented in the OMS drawing. Please consult your local representative for exact specifications.
 ***Note: Unit Availability and Price is Subject to Change

Line #4	Mark Unit: bedroom 2nd floor rear			
Qty: 2				

INFINITY
from MARVIN
 REPLACEMENT WINDOWS
Built for life



As Viewed From The Exterior

FS 37 5/8" X 64"
 IO 38" X 64"

Egress Information

Width: 34 15/16" Height: 26 9/32"
 Net Clear Opening: 6.37 SqFt

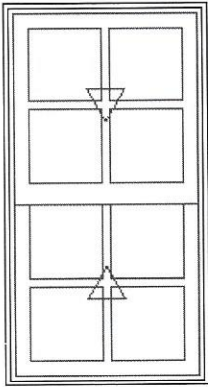
Stone White Exterior
 Stone White Interior
 Infinity Insert Double Hung
 Inside Opening 38" X 64"
 Top Sash
 IG
 Low E2 w/Argon
 7/8" SDL - With Spacer Bar
 Rectangular 3W2H
 Stone White Ext - Stone White Int
 Bottom Sash
 IG
 Low E2 w/Argon
 7/8" SDL - With Spacer Bar
 Rectangular 3W2H
 Stone White Ext - Stone White Int
 White Sash Lock
 White Sash Lift
 Extruded Full Screen
 Stone White Surround
 Charcoal Fiberglass Mesh
 Existing Sill Angle 4
 3 1/4" Jamb

***Note: Divided lite cut alignment may not be accurately represented in the OMS drawing. Please consult your local representative for exact specifications.
 ***Note: Unit Availability and Price is Subject to Change

Line #5	Mark Unit: bedroom 2nd flr rear			
Qty: 1				

INFINITY
from MARVIN
 REPLACEMENT WINDOWS
Built for life

Stone White Exterior
 Stone White Interior
 Infinity Insert Double Hung
 Inside Opening 22" X 40"
 Top Sash
 IG
 Low E2 w/Argon
 7/8" SDL - With Spacer Bar
 Rectangular 2W2H



F

As Viewed From The Exterior

FS 21 5/8" X 40"

IO 22" X 40"

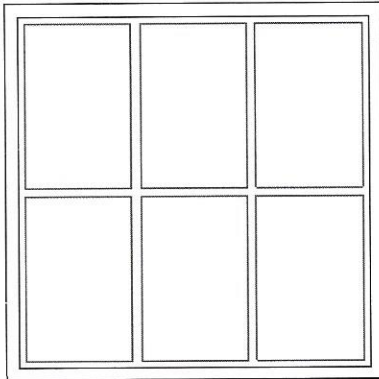
Egress Information

Width: 18 15/16" Height: 14 9/32"

Net Clear Opening: 1.88 SqFt

Stone White Ext - Stone White Int
 Bottom Sash
 IG
 Low E2 w/Argon
 7/8" SDL - With Spacer Bar
 Rectangular 2W2H
 Stone White Ext - Stone White Int
 White Sash Lock
 White Sash Lift
 Extruded Full Screen
 Stone White Surround
 Charcoal Fiberglass Mesh
 Existing Sill Angle 4
 3 1/4" Jamb
 ***Note: Divided lite cut alignment may not be accurately represented in the OMS drawing. Please consult your local representative for exact specifications.
 ***Note: Unit Availability and Price is Subject to Change

Line #6	Mark Unit: stairway			
Qty: 1				



As Viewed From The Exterior

FS 37" X 36 1/2"

RO 38" X 37"

Egress Information

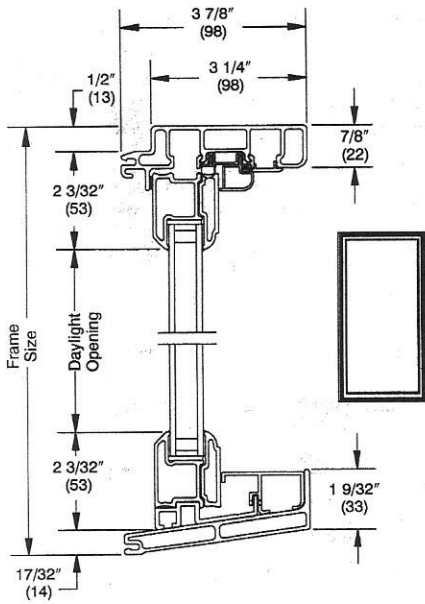
No Egress Information available.

Stone White Exterior
 Stone White Interior
 Infinity Rectangle
 Rough Opening 38" X 37"
 IG - 1 in
 Low E2 w/Argon
 7/8" SDL - With Spacer Bar
 Rectangular 3W2H
 Stone White Ext - Stone White Int
 Additional Mull Info: Stand Alone
 2 1/4" Jamb
 Nailing Fin
 ***Note: Divided lite cut alignment may not be accurately represented in the OMS drawing. Please consult your local representative for exact specifications.
 ***Note: Unit Availability and Price is Subject to Change

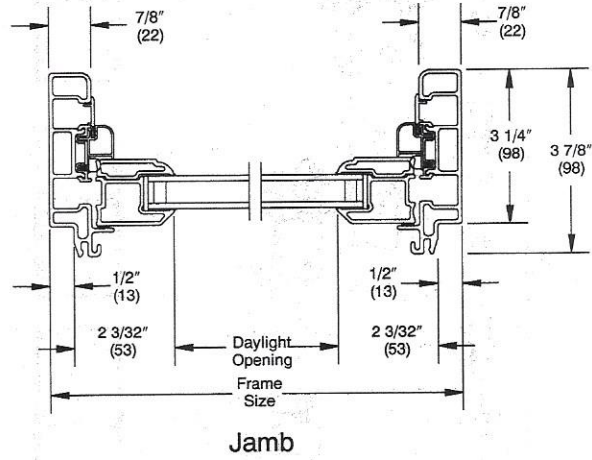
C

**INFINITY INSERT DOUBLE HUNG
 SECTION DETAILS - PICTURE/TRANSOM**

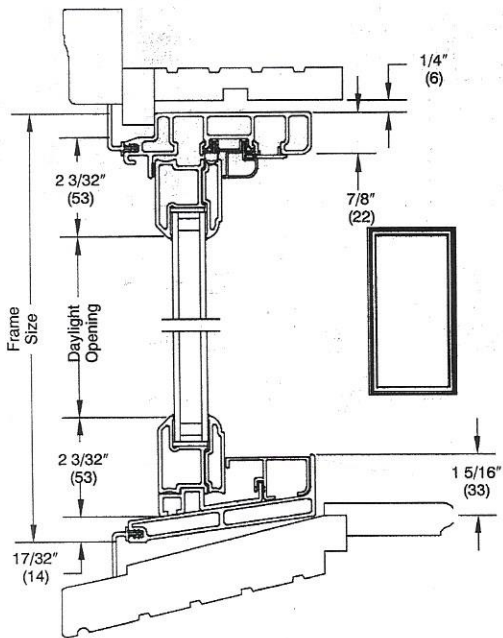
SCALE 3" = 1' 0"



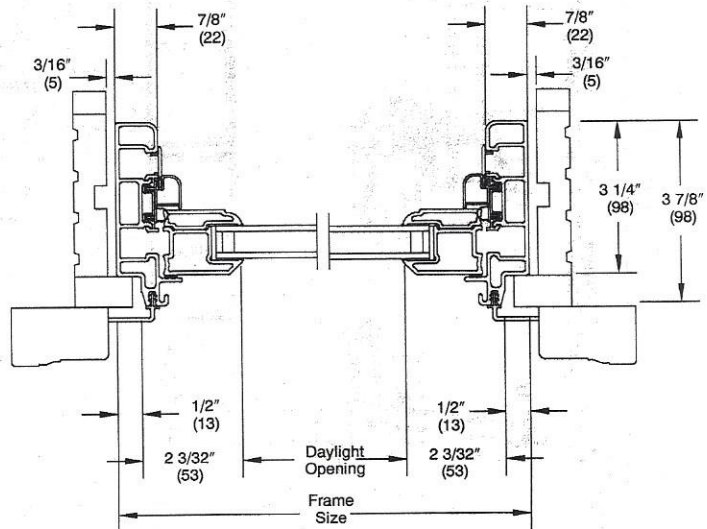
Picture/Transom Head Jamb



Jamb

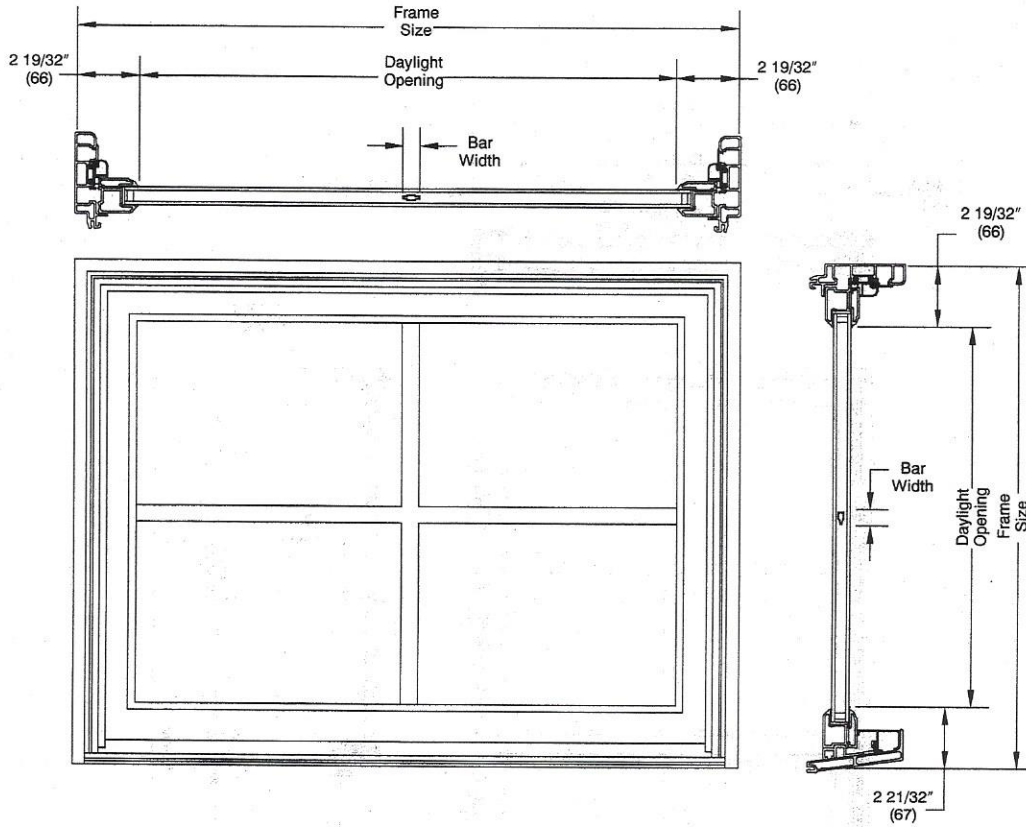


Picture/Transom Head Jamb



Jamb

INFINITY INSERT DOUBLE HUNG PICTURE
RECTANGULAR DAYLIGHT OPENING CALCULATIONS



Conversion Formula:

$$\frac{\text{DLO} - \text{Total Bar(s) Width}}{\text{Number of Lites}} = \text{Individual DLO}$$

Bar Widths

SDL Bar Width = 7/8"

GBG Width = 11/16"

NOTE:

For additional information on individual daylight openings please contact your Infinity representative.