

DISTRICT DEPARTMENT OF TRANSPORTATION

New Pole Plant for D.C. Small Cells

CFA March 21, 2024

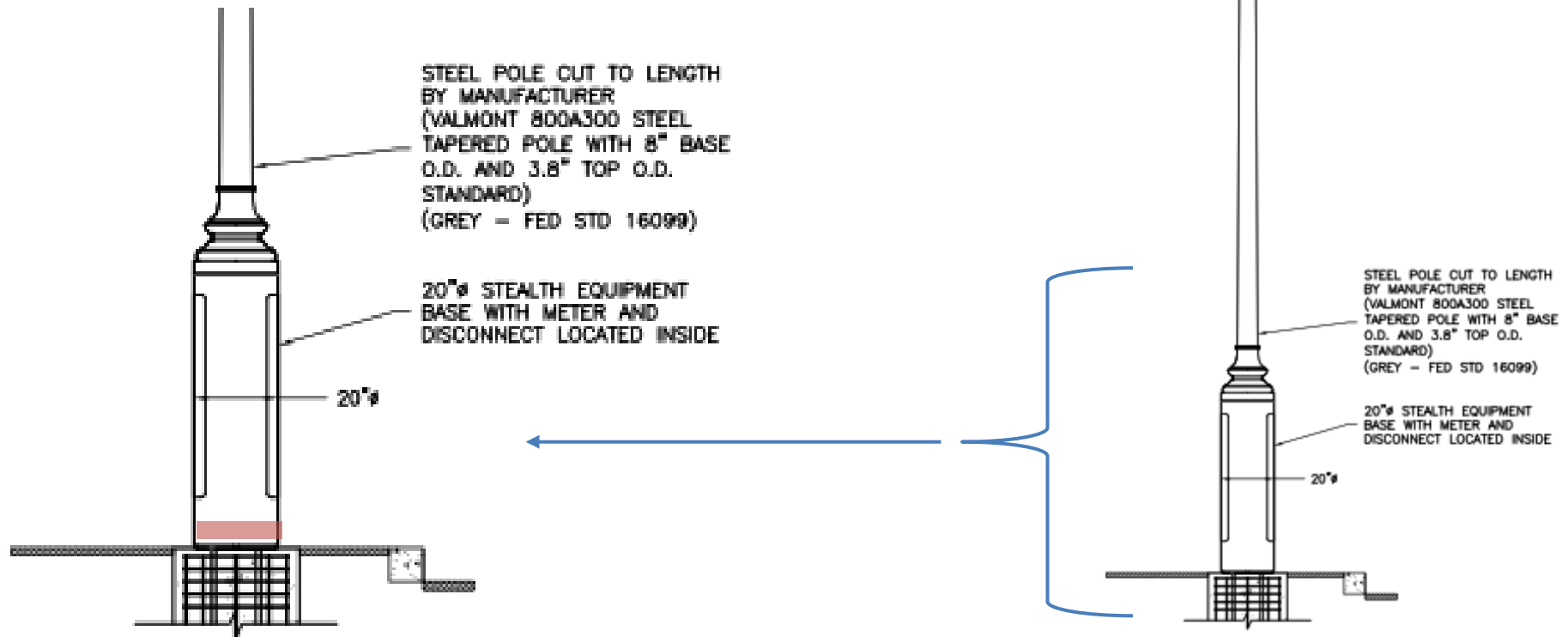
Agenda

- I. Request to identify a “shoe” at base
- II. Request to articulate the base
- III. Standard Shop drawings

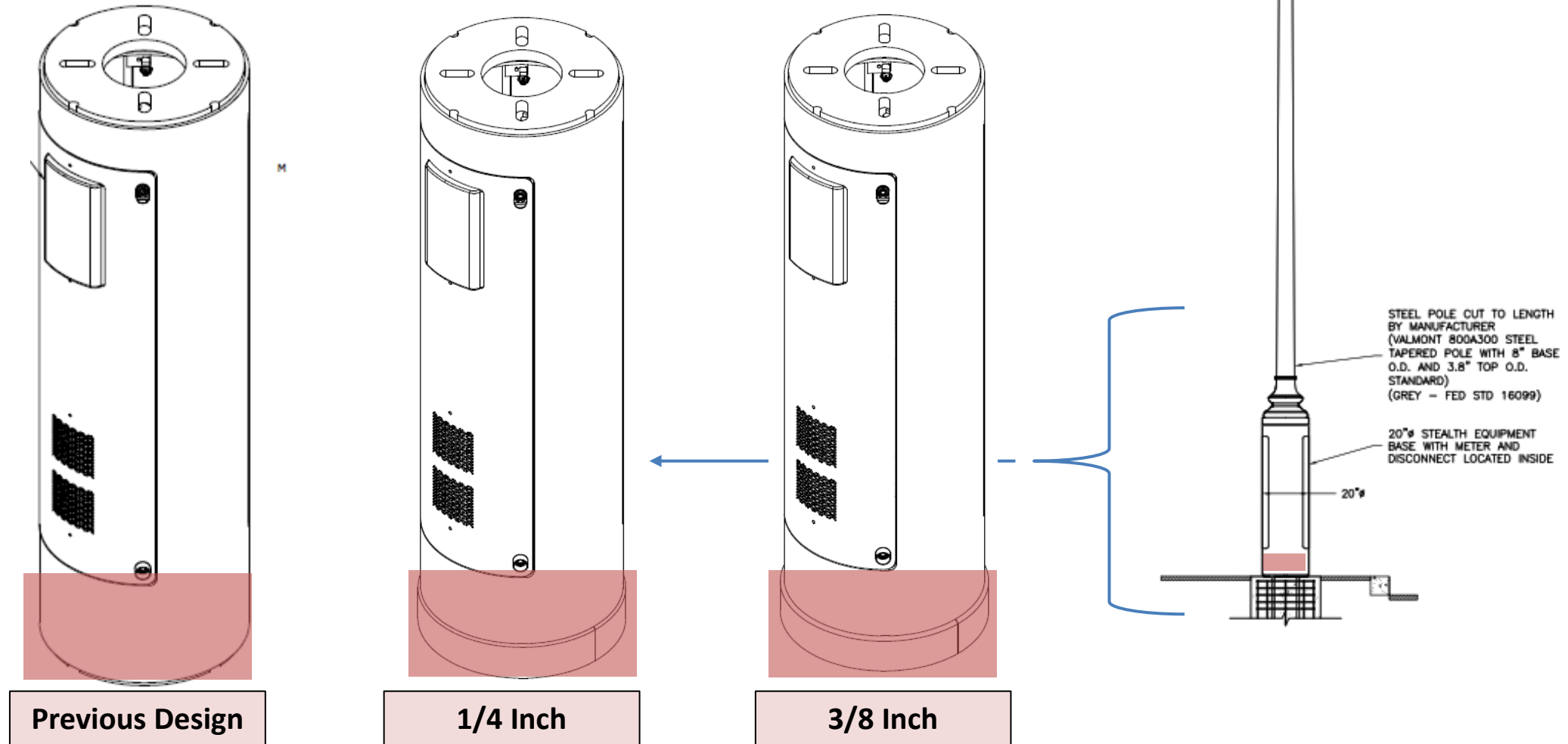


Request to Identify a “shoe” at Base

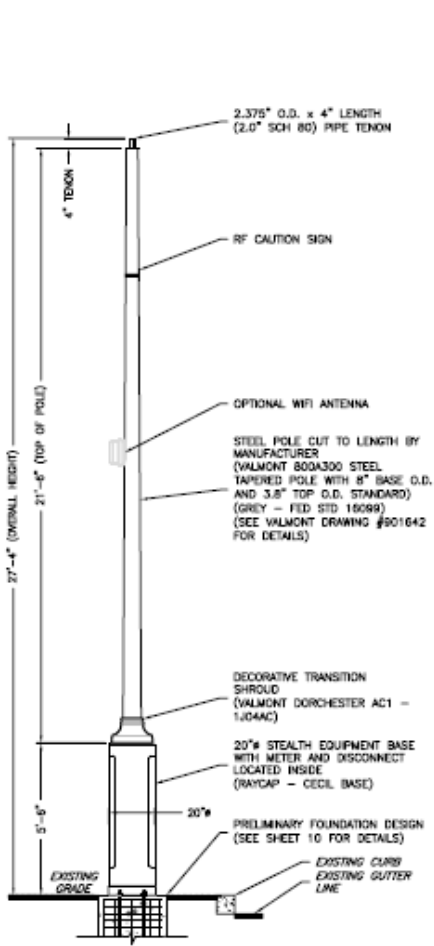
Pole Plant – no “shoe” at base



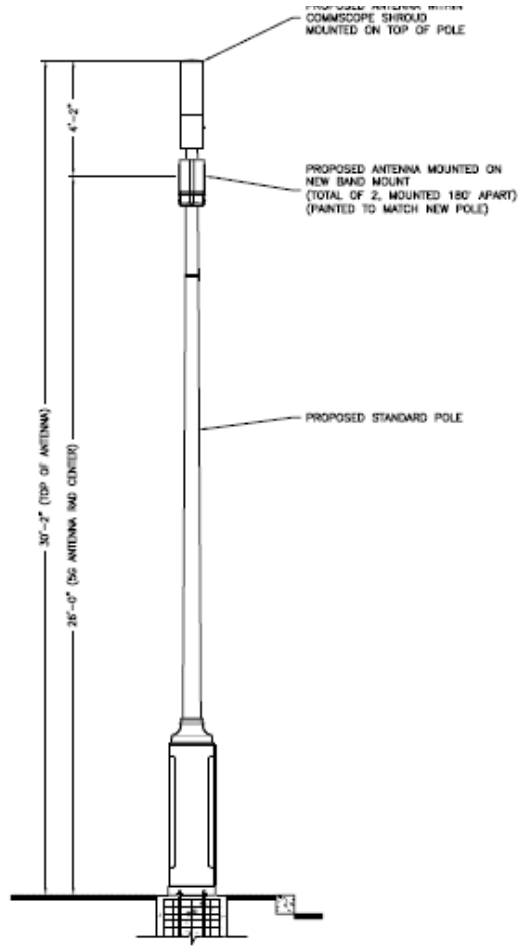
Pole Plant – Looked at two widths



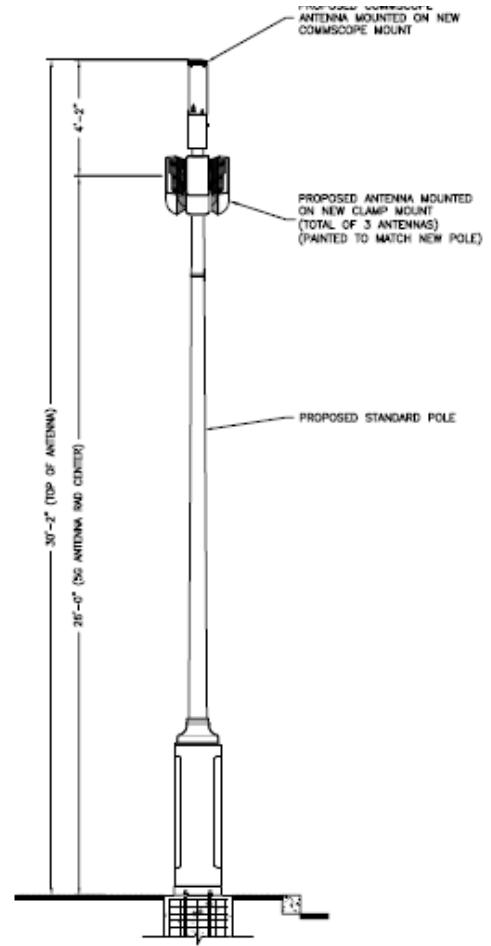
Standard Pole Plant with 3/8 Inch Shoe



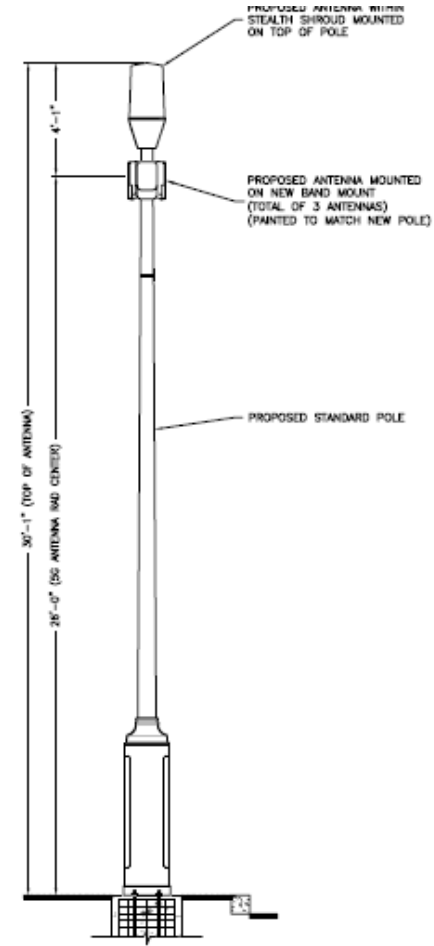
Standalone Pole



Antennae 1



Antennae 2



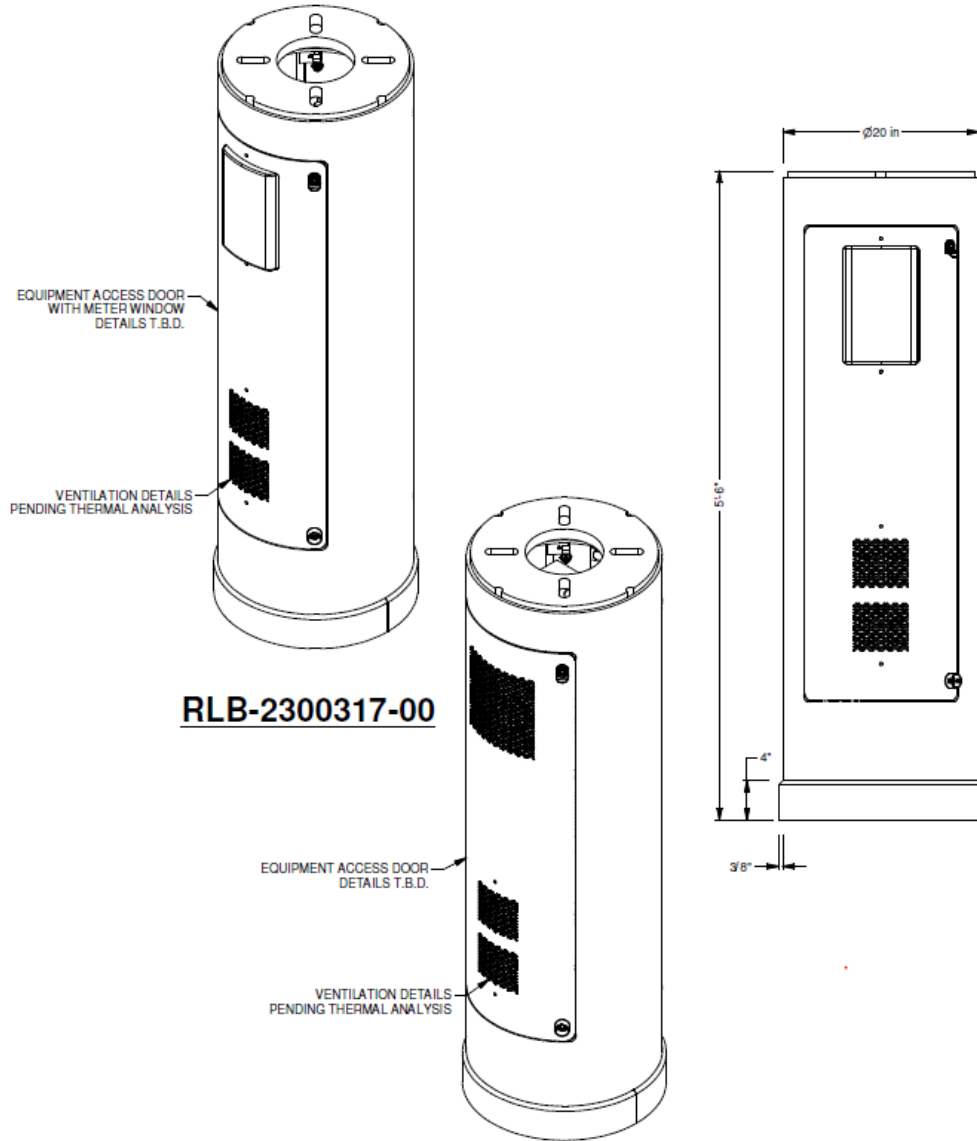
Antennae 3

Base Dimensions:
 Height: 5'6"
 Width: 20" Cylinder and 3/8" Shoe

Carrier	Pole Height
Without Equipment	27' 4"
AT&T	30' 2"
Verizon	30' 2"
Crown Castle	30' 1"

Request to Articulate the Base

Articulated Base

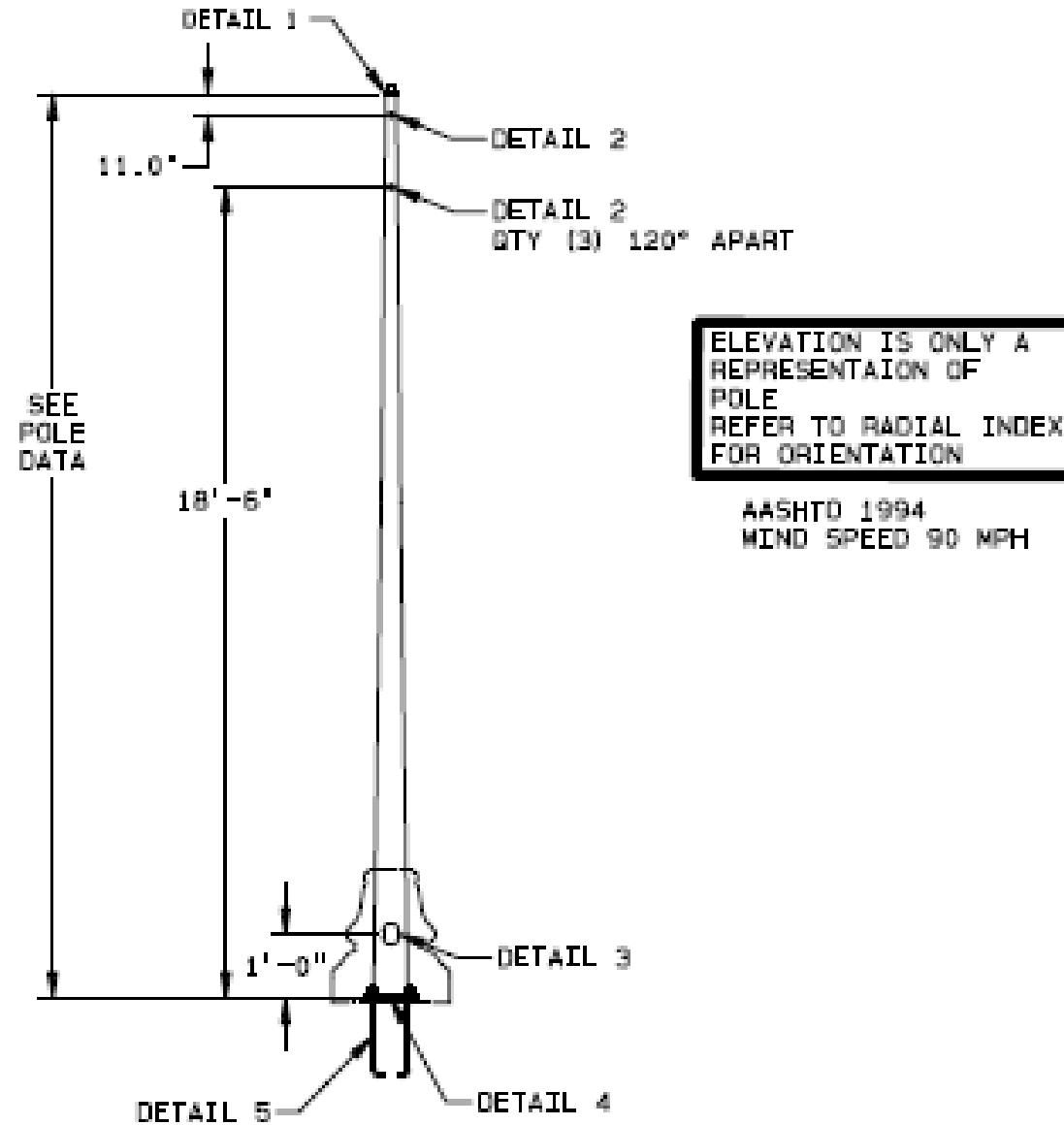


- Concerns related to the operation of the doors and door ventilation
- The design does not include any type of fluting and is consistent with the overall pole format and function

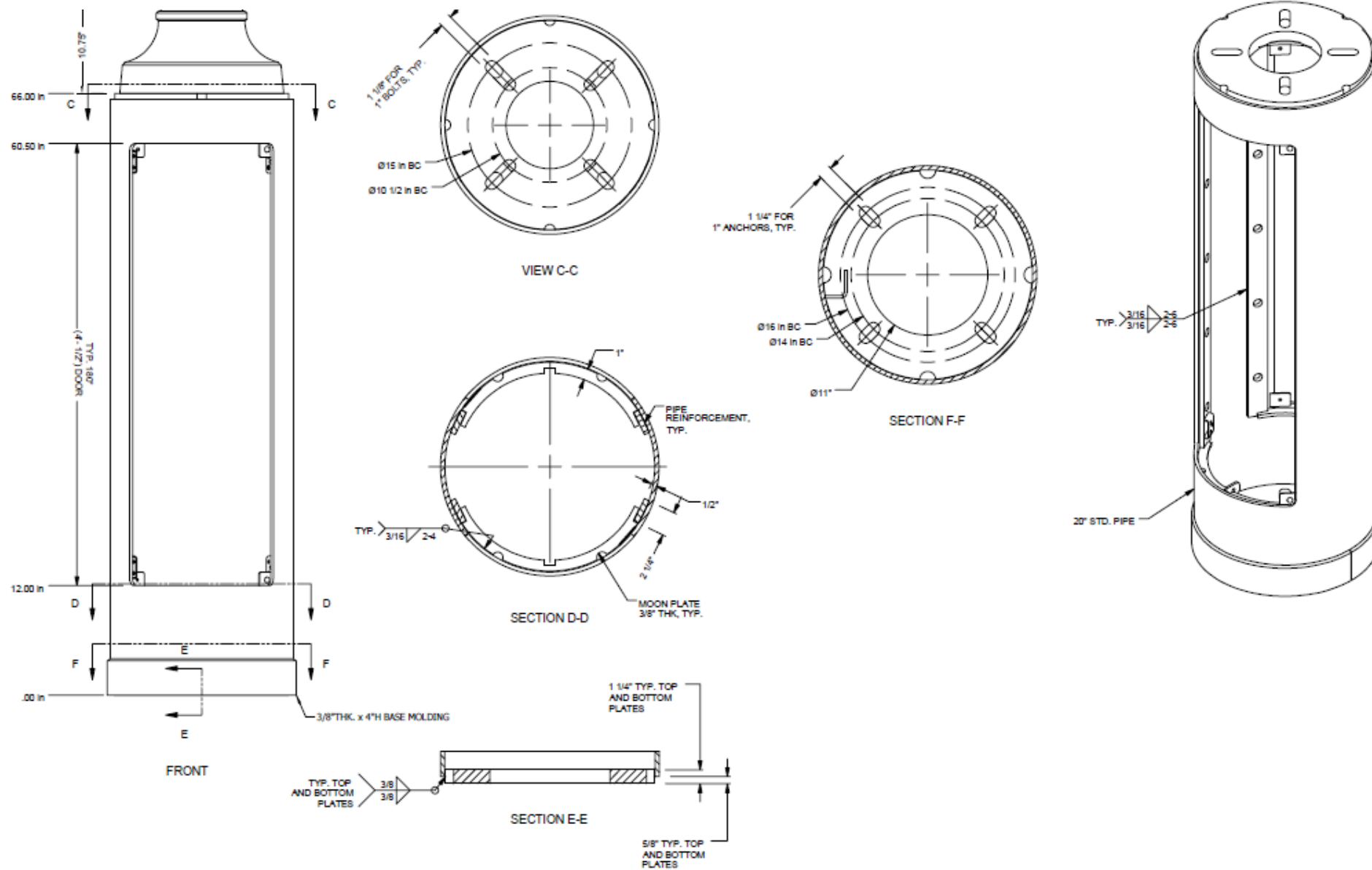
Standard Shop Drawings

- Standalone Pole from Base to top
- Standalone Pole Base

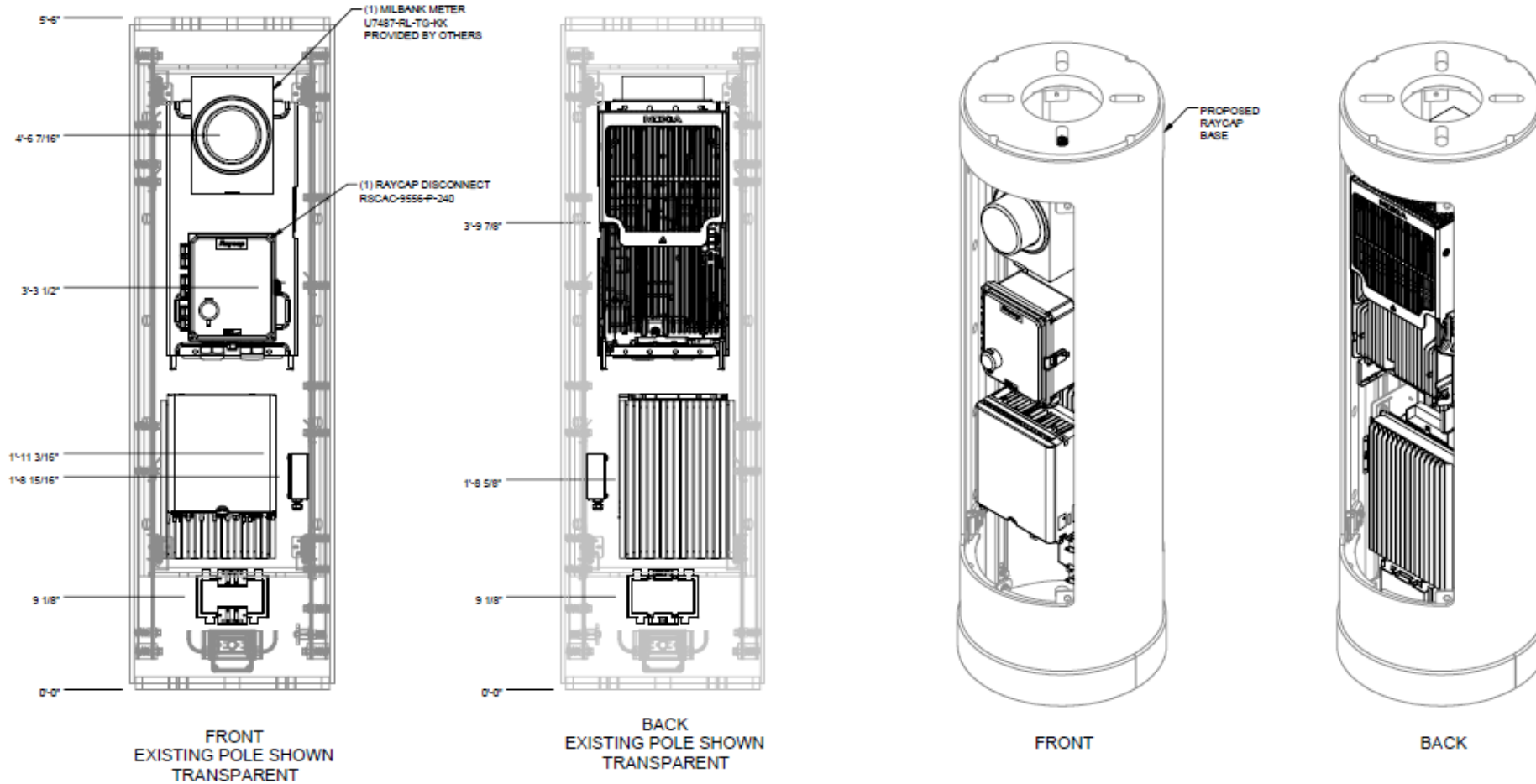
Standalone Pole from Base to top



Standalone Pole Base



Standalone Pole Base



1 STANDARD SMALL CELL EQUIPMENT BASE DETAILS
05 NTS



District Department of Transportation

250 M St SE | Washington, DC 20003 | 202.673.6813